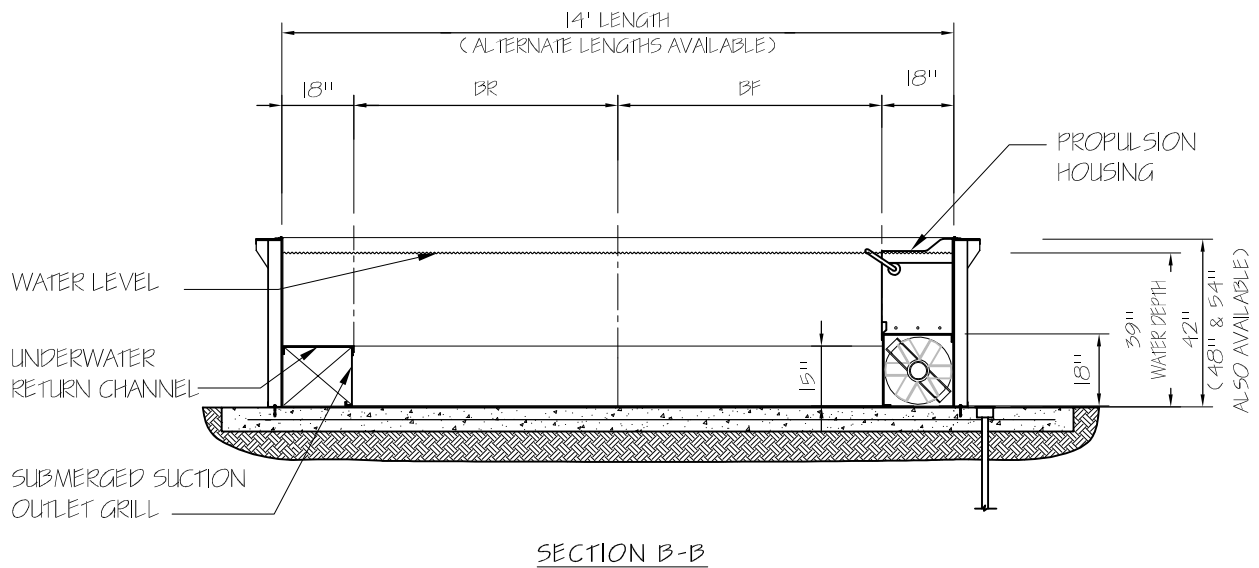
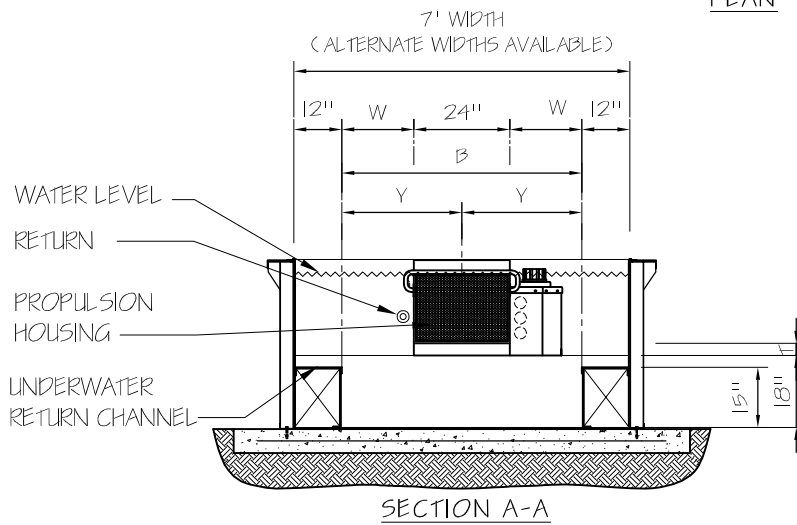
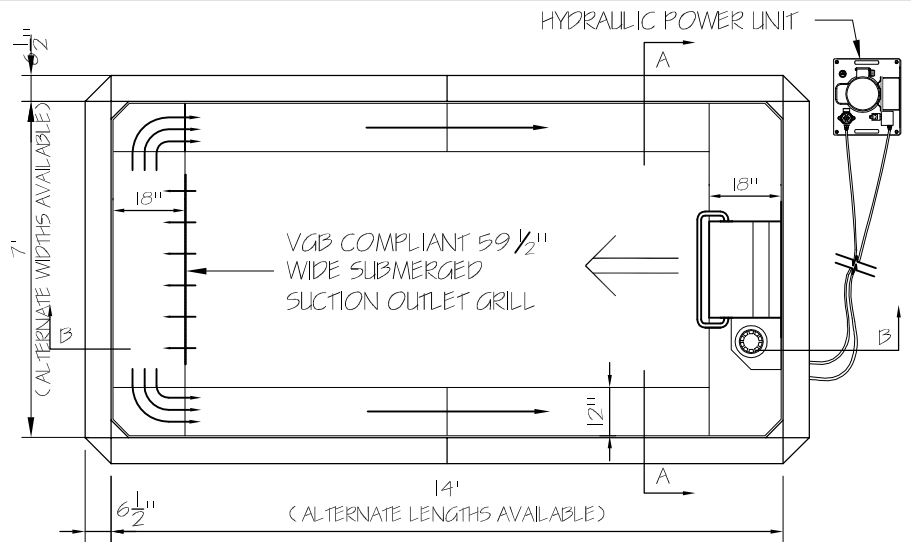


| "NOMINAL DIMENSIONS" | | | |
|----------------------|-------|-------|----------------------|
| LENGTH | BR | BF | (for panels heights) |
| 12' (optional) | 4'-6" | 4'-6" | (42", 48", 54") |
| 13' (optional) | 5'-6" | 4'-6" | (42", 48", 54") |
| 14' (standard) | 5'-6" | 5'-6" | (42", 48", 54") |
| 15' (optional) | 6'-6" | 5'-6" | (42", 48", 54") |
| 16' (optional) | 6'-6" | 6'-6" | (42", 48" ONLY) |

| "NOMINAL DIMENSIONS" | | | | |
|----------------------|-----|-----|----|----------------------|
| WIDTH | W | Y | B | (for panels heights) |
| 7' (standard) | 18" | 30" | 5' | (42", 48", 54") |
| 8' (optional) | 24" | 36" | 6' | (42", 48", 54") |
| 9' (optional) | 30" | 42" | 7' | (42", 48", 54") |
| 10' (optional) | 36" | 48" | 8' | (42", 54" ONLY) |

| HOUSING (24" wide x 18" tall) | |
|-------------------------------|------------|
| HEIGHT | Throat (T) |
| 42" | 3" |
| 48" | 9" |
| 54" | 15" |



ENDLESS POOLS®
 SWIMMING MACHINES
 1601 Dutton Mill Road, Aston PA 19014
 www.endlesspools.com
 swim@endlesspools.com 800-732-8660

PERFORMANCE ENDLESS POOL
 (42"H PANELS SHOWN)

PERFORMANCE POOL DETAIL

DETAIL NUMBER:

EP-16.0

01/28/13