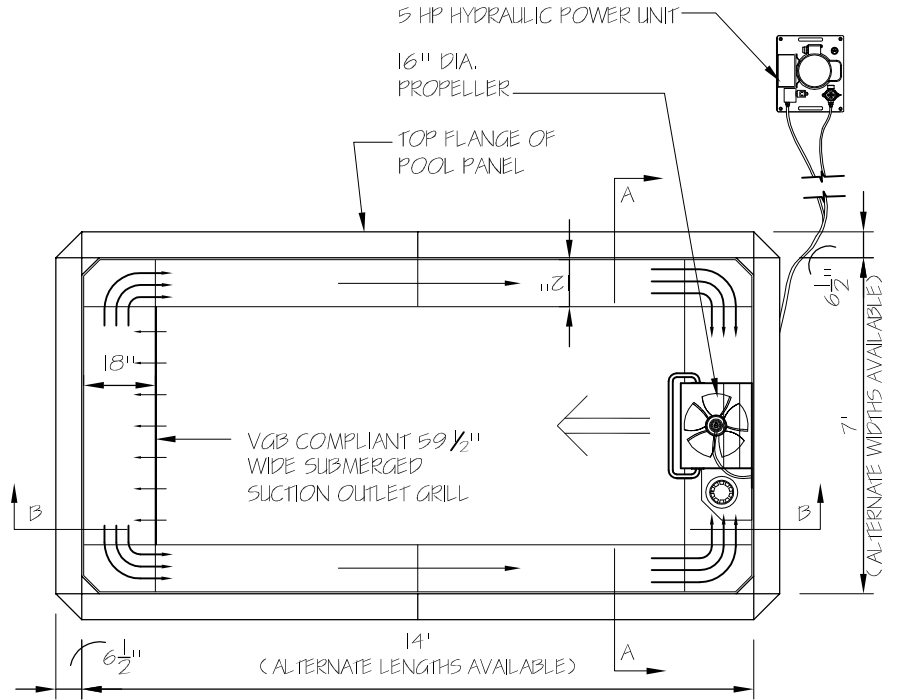


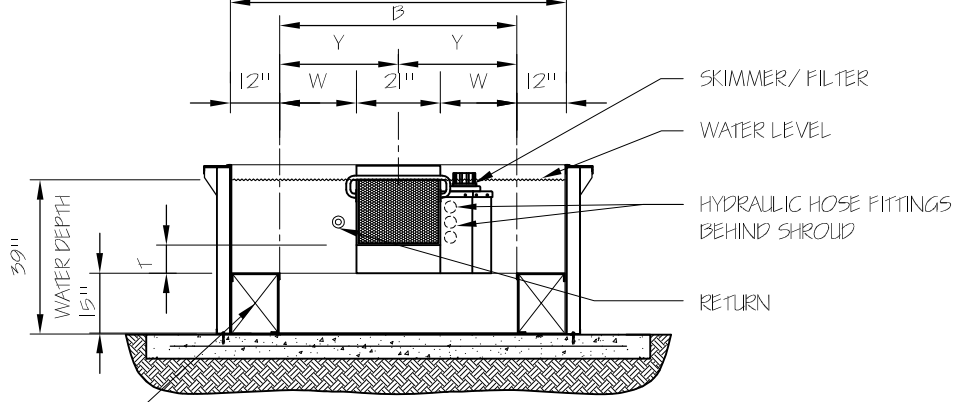
"NOMINAL DIMENSIONS"			
LENGTH	BR	BF	(for panels heights)
12' (optional)	4'-6"	4'-6"	(42", 48", 54")
13' (optional)	5'-6"	4'-6"	(42", 48", 54")
14' (standard)	5'-6"	5'-6"	(42", 48", 54")
15' (optional)	6'	6'	(42", 48", 54")
16' (optional)	6'-6"	6'-6"	(42", 48" ONLY)

"NOMINAL DIMENSIONS"				
WIDTH	W	Y	B	(for panels heights)
7' (standard)	19,5"	30"	5'	(42", 48", 54")
8' (custom)	25,5"	36"	6'	(42", 48", 54")
9' (optional)	31,5"	42"	7'	(42", 48", 54")
10' (optional)	37,5"	48"	8'	(42", 54" ONLY)

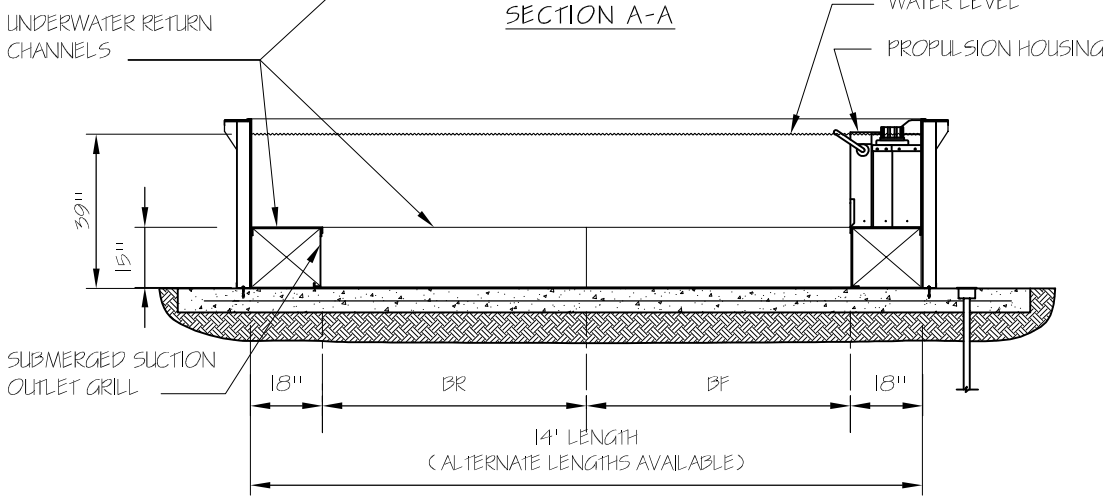
HOUSING (21" wide x 16" tall)	
HEIGHT	Throat (T)
42"	7"
48"	13"
54"	19"



PLAN
7' WIDTH (ALTERNATE WIDTHS AVAILABLE)



SECTION A-A



SECTION B-B

ENDLESS POOLS®
SWIMMING MACHINES
1601 Dutton Mill Road, Aston PA 19014
www.endlesspools.com
swim@endlesspools.com 800-732-8660

ORIGINAL ENDLESS POOL
(42"H PANELS SHOWN)

DETAIL NUMBER:

EP-1.3

POOL CONFIGURATION DETAIL

12/ 27/ 12