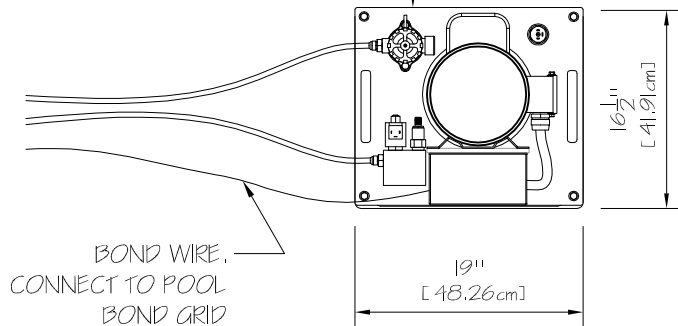


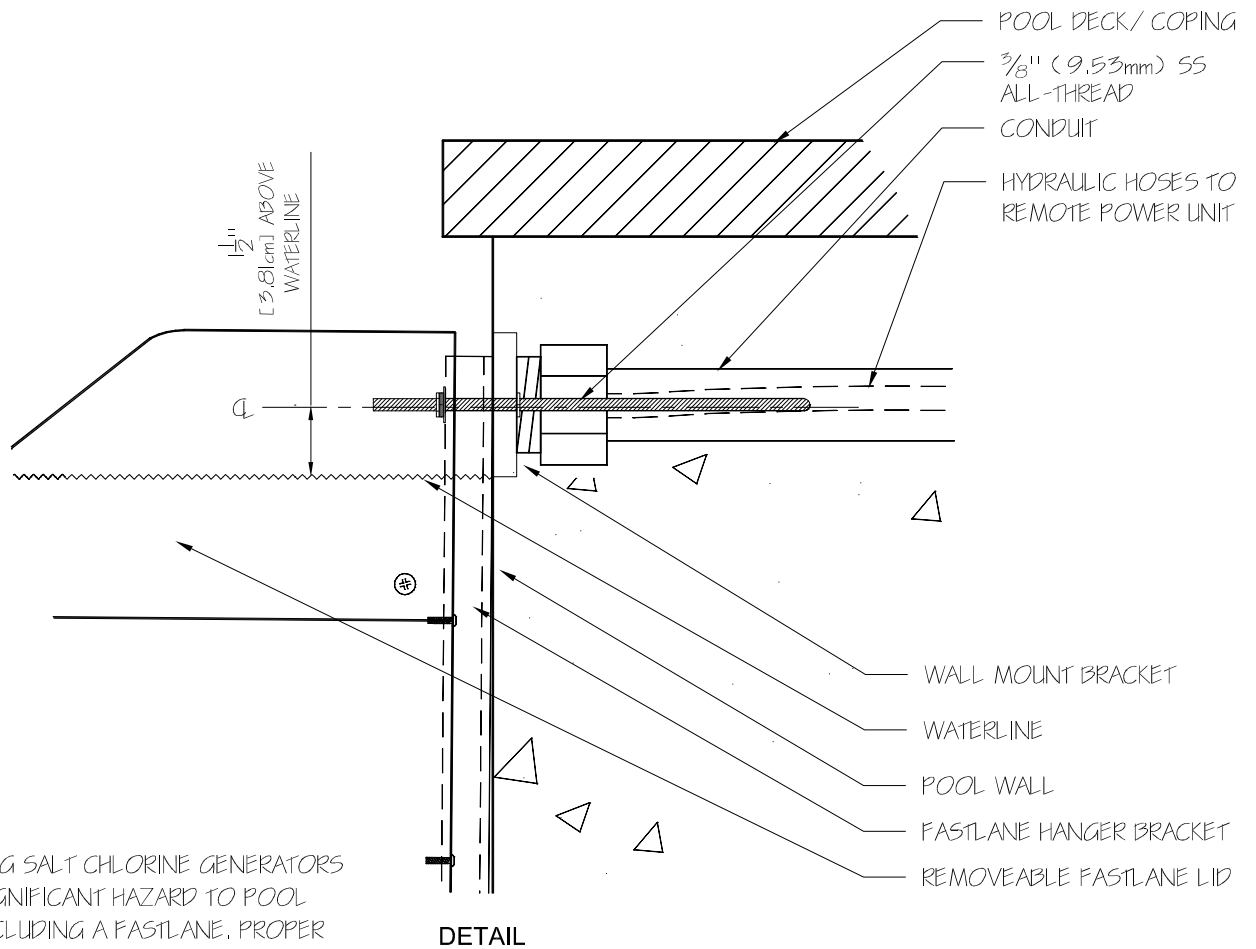
REMOTE POWER UNIT IN SHELTERED LOCATION, 5 HP, 220V, 30 AMP GFCI SERVICE REQUIRED



16" (40.64cm) DIAMETER PROPELLER

POOL WALL

SECTION A-A (REFER TO FL-B2.1)



NOTE:
POOLS UTILIZING SALT CHLORINE GENERATORS CAN POSE A SIGNIFICANT HAZARD TO POOL EQUIPMENT, INCLUDING A FASTLANE. PROPER BONDING AND WATER CHEMISTRY CONTROL BECOME CRITICAL. USE OF SACRIFICIAL ANODE IS RECOMMENDED.



ENDLESS POOLS®
SWIMMING MACHINES

1601 Dutton Mill Road, Aston PA 19014
www.endlesspools.com
swim@endlesspools.com 800-732-8660

**WALL MOUNT FASTLANE
ANCHORED TO POOL WALL
HYDRAULIC LINES THRU POOL WALL**

DETAIL NUMBER:

FL-B2.2